

## 200-HEP-A6Z Ex POR



# HIGH ENERGY Ex PORTABLE IGNITER

## 200-HEP-A6Z Ex POR

### KEY FEATURES

- High energy ignition system
- Power discharge: 7J
- Output volt: 2kV impulsive capacity discharge
- Ex code: II 2G Ex d IIC T6, T5, T4 Gb
- Degree of Protection: IP66
- Discharge frequency: < 0,6s to > 8s adjustable, preset to 1s
- Ex execution fully certified c/w battery

### ACCESSORIES INCLUDED

- Handle
- High energy ignition probe 200-HEF-5AA-BOX
- High energy armored silicon cable for high temperature
- Spark tip code: 200-HEF-9A3
- Battery charger

### ELECTRICAL FEATURES

- Nominal operating voltage: 2000V
- Consumption < 1,6A
- Power supply from 11VDC to 13VDC
- Electronics c/w temperature compensation
- Discharge frequencies regulation
- Nr. of sparks with fully battery: approx. 1.000 sparks)

### MECHANICAL FEATURES

- Electronic circuits
- Certified for ambient temperature: -50°C to +60°C
- Dimensions: 255x215x190mm
- Unit weight: 15kg approx
- Enclosure: aluminum painted for harsh environment

### APPLY TO

- Flares
- Sulphur plants
- Burners

### CERTIFICATION

- ATEX certificate with window ineris 03ATEX0174X
- ATEX certificate EPT 17ATEX2760X
- IECEx certificate EUT 17.0029X
- INMETRO certificate DNV 20.0153X
- TRCU certificate AA87.B.01186
- PESO certificate

### INTERNATIONAL REGULATION

- CE marking

### MANUFACTURER

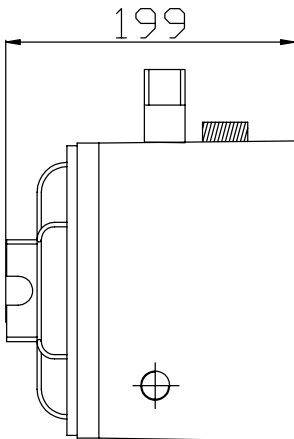
Combustion and Energy Srl  
Part number: **200-HEP-A6Z-Ex-POR**



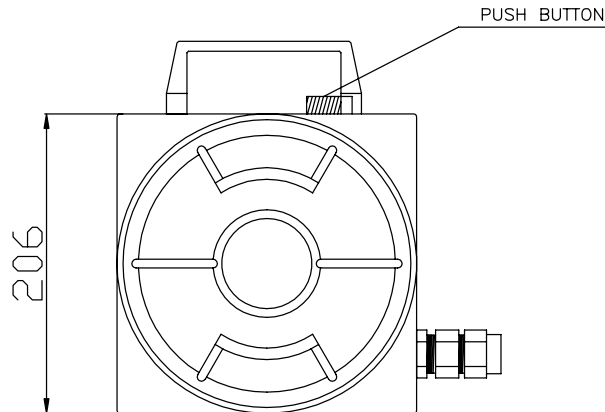
# HIGH ENERGY Ex PORTABLE IGNITER

## 200-HEP-A6Z Ex POR TECHNICAL DRAWING

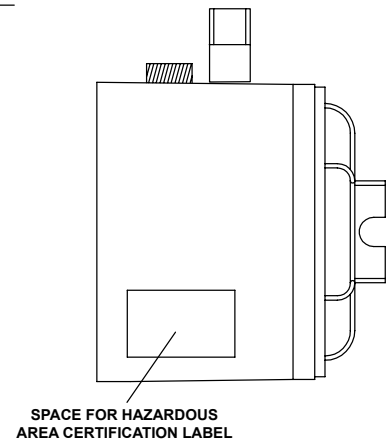
RIGHT SIDE VIEW



FRONT VIEW



LEFT SIDE VIEW



BOTTOM VIEW

